



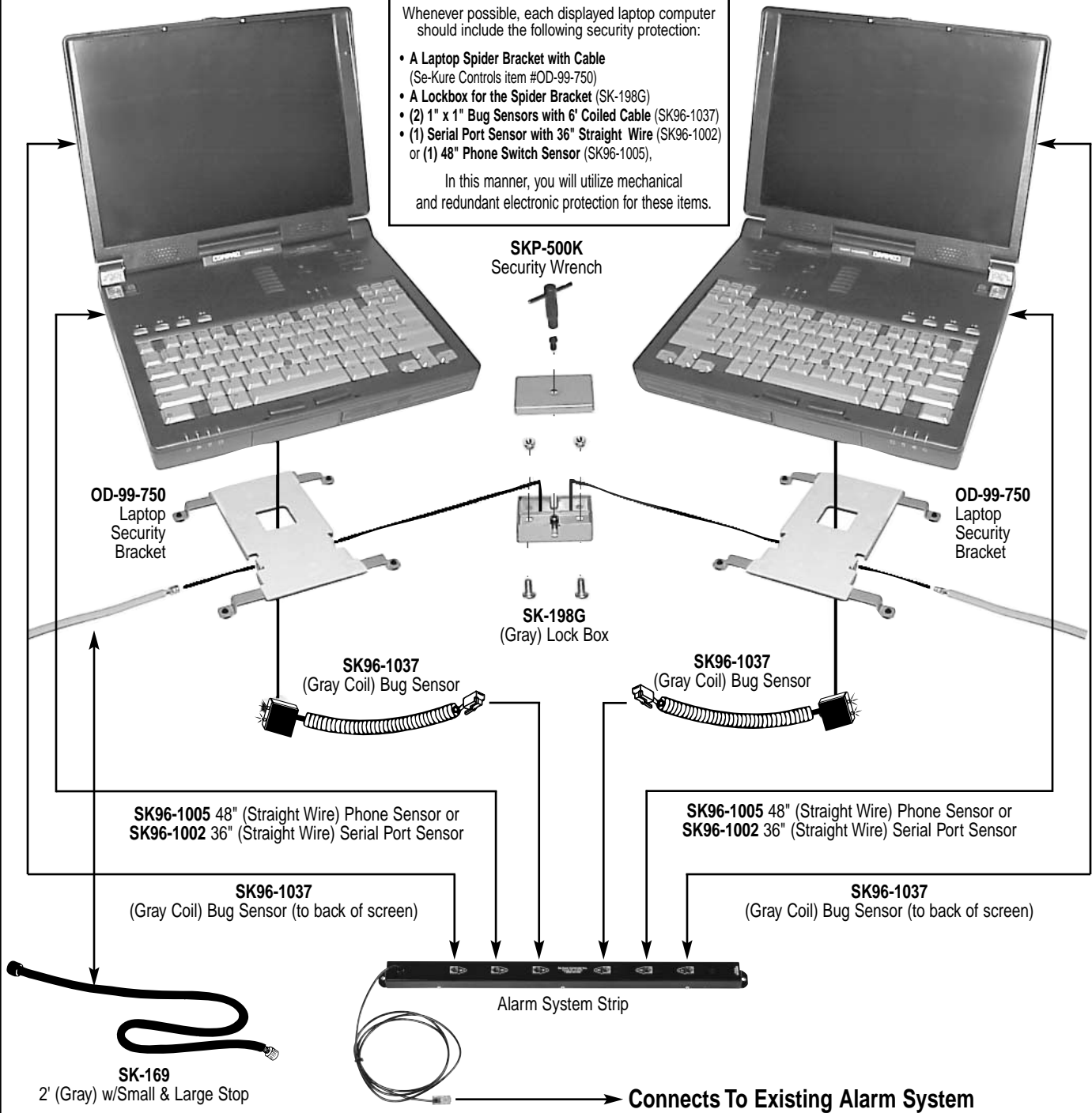
Installation Instructions for the Laptop Display Security

Laptop Computer Security is an important issue in our stores. These are high price point items and desirable to thieves. As a result, we want to take extra precautions in the protection of our displayed laptop computers.

Whenever possible, each displayed laptop computer should include the following security protection:

- A Laptop Spider Bracket with Cable (Se-Kure Controls item #OD-99-750)
- A Lockbox for the Spider Bracket (SK-198G)
- (2) 1" x 1" Bug Sensors with 6' Coiled Cable (SK96-1037)
- (1) Serial Port Sensor with 36" Straight Wire (SK96-1002) or (1) 48" Phone Switch Sensor (SK96-1005),

In this manner, you will utilize mechanical and redundant electronic protection for these items.



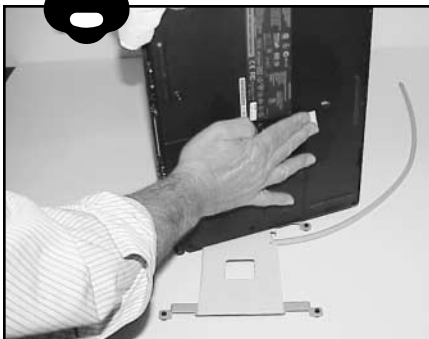
Se-Kure Controls,® Inc.

On the Web: www.se-kure.com
E-Mail: sekure@msn.com

3714 Runge Street • Franklin Park, IL 60131 • 1-(800) 322-2435 • (847) 288-1111 • Fax: (847) 288-9999



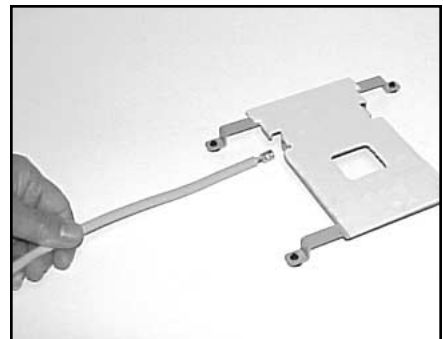
Installation Instructions for the Laptop Display Security



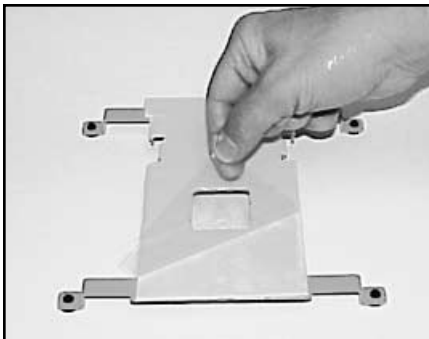
1. Clean the bottom of the laptops where the bracket adhesive is going to be applied with alcohol prep pads.



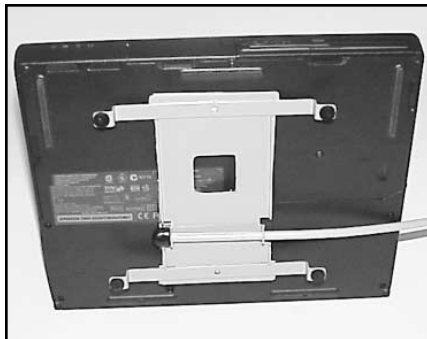
2. While the area is still wet, dry the area with a clean paper towel or clean cloth. If the cloth shows dirt, please repeat this step, until the area is clean & dry.



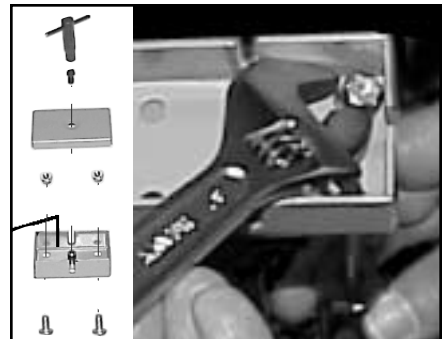
3. Pass the small end of the Security Cable through the tube in the bracket.



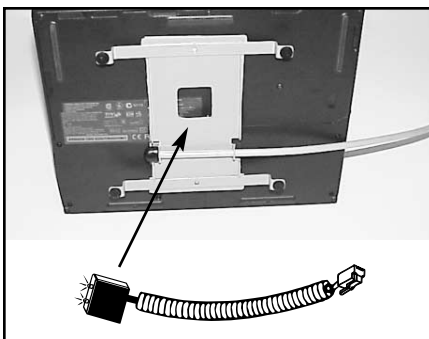
4. Remove the backing sheets from the laptop bracket.



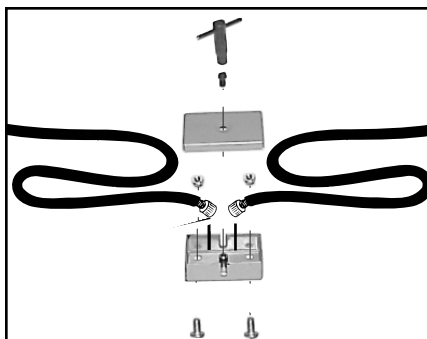
5. Adhere the bracket with the security cable to the bottom of the laptop firmly pressing it into place to assure a good bond.



6. Mount the (SK-198G) Lock Box at the back of the shelf in the predrilled holes between the area you will be placing (2) laptops. You will need a wrench.



7. Remove the backing from the Bug Sensor and apply it to the laptop through the square opening in the bracket. Plug the sensor into any Strip port.



8. Place the stop ends of the (2) security cables in the slots of the (SK-198G) Lock Box.



9. Close the lid and use the (SKP-500K) Security Wrench to fasten the lid of the box. Put the wrench in a safe place.



Se-Kure Controls,® Inc.

On the Web: www.se-kure.com
E-Mail: sekure@msn.com

3714 Runge Street • Franklin Park, IL 60131 • 1-(800) 322-2435 • (847) 288-1111 • Fax: (847) 288-9999



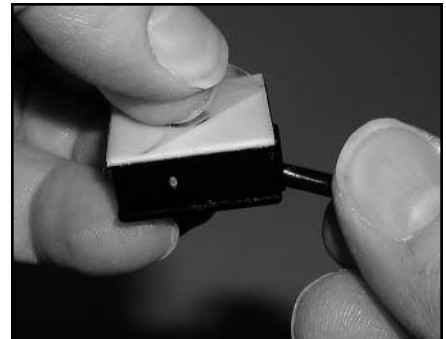
Installation Instructions for the Laptop Display Security



10. Clean the back of the laptops screen where the Bug Sensor is going to be applied with alcohol prep pads.



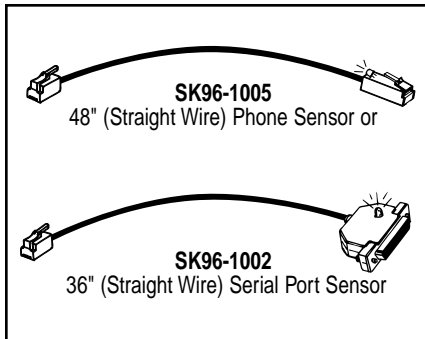
11. While the area is still wet, dry the area with a clean paper towel or clean cloth. If the cloth shows dirt, please repeat this step, until the area is clean & dry.



12. Remove the adhesive backing on the Bug Sensor.



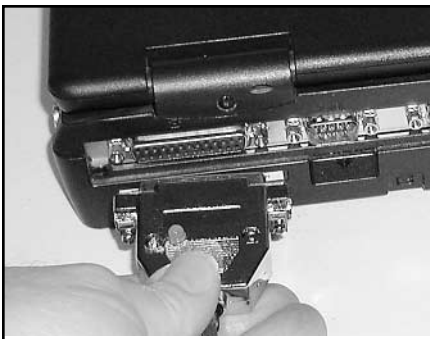
13. Press the Bug Sensor onto the "Cleaned" area of the Laptop Screen Back. Plug the other end of the sensor into the strip.



14. Depending on what ports the laptop has, select either the SK96-1005 Phone Plug Sensor or the SK96-1002 Serial Port Sensor.



15. The SK96-1005 Phone Plug Sensor will simply snap into the Telephone Plug modem port of the laptop. Plug the other end into the Alarm Strip.



16. Or - Plug the SK96-1002 Serial Port Sensor into the serial port connection at the back of the laptop. Hand tighten the screws on the sensor connector.

How To Order Additional Parts:

Parts Available via AS400

- sku 484051 (1) Lock Box & (1) Security Wrench
- sku 484049 Laptop Spider Bracket
- sku 558393 Adhesive for Laptop Spider Bracket
- sku 917288 Straight Wire Serial Port Sensor
- sku 917270 Straight Wire Phone Jack Sensor

Parts Available via Remedy or Fixture Hotline (x34660)

- SK96-1037 1" x 1" Coiled Bug Sensor
- SK-206ME 6 Position ME Alarm Strip
- SK-210KME ME Senior Alarm Module w/Keypad



Se-Kure Controls,® Inc.

On the Web: www.se-kure.com
E-Mail: sekure@msn.com

3714 Runge Street • Franklin Park, IL 60131 • 1-(800) 322-2435 • (847) 288-1111 • Fax: (847) 288-9999