

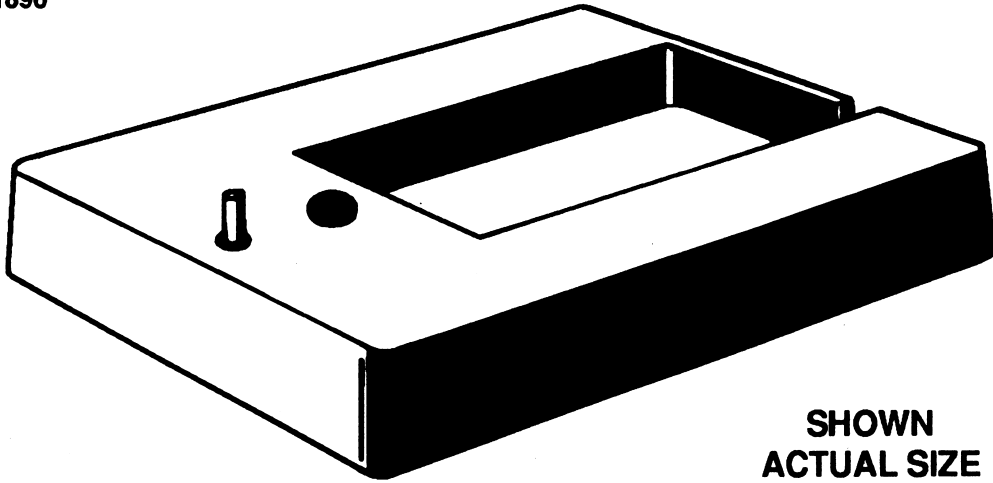


# Kozy Mount™

## Camcorder Security System

U.S. Patent No. D345092

SK-1890



**SHOWN  
ACTUAL SIZE**

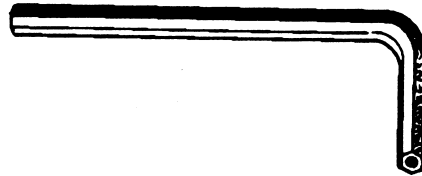
Kozy Mount

SK-1842



Security Screw

SKP-200K



Special Allen Key

### INSTALLATION INSTRUCTIONS

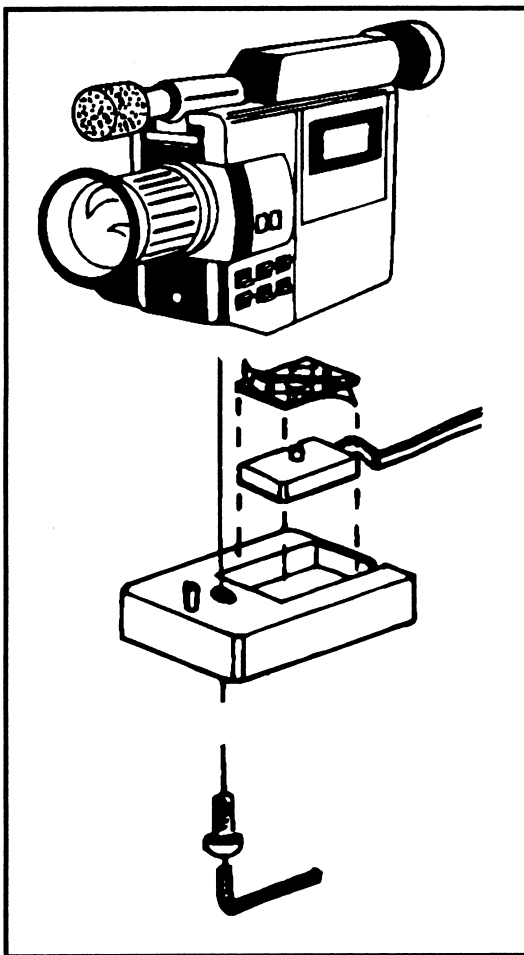
1. Clean the bottom of the camcorder around the tripod mount and the sensor with a alcohol prep pad. Then dry the surfaces with a clean paper towel.

**VERY IMPORTANT: IF THE PAPER TOWEL SHOWS DIRT, REPEAT THIS STEP UNTIL THE SURFACES ARE CLEAN AND DRY!**

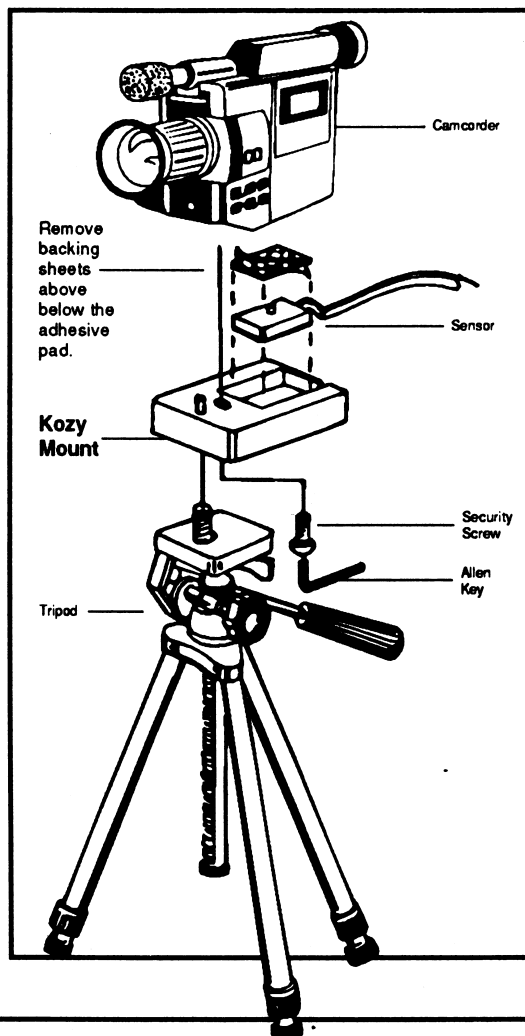
2. Remove the backing sheets from the super adhesive pad and place on the sensor.

3. Place the sensor into Kozy Mount **twisting the wire** around and **through the slot** as indicated in the diagram. This will "lock" the sensor into Kozy Mount.
4. Place the camcorder onto the Kozy Mount so the mounting pin aligns with camcorder mount. (This will properly position the sensor on the bottom of the camcorder).
5. Thread the Security Screw (SK-1842) through Kozy Mount and into the camcorder. **Tighten with the Special Allen Key (SKP-200K)** to complete the connection. Kozy Mount can be used alone, or screwed onto a tripod.

### Counter Top



### Tripod Mounting



**SE-KURE CONTROLS, INC.**

3714 Runge St. • Franklin Pk., IL 60131 • (847) 288-1111

**1-(800) 322-2435**