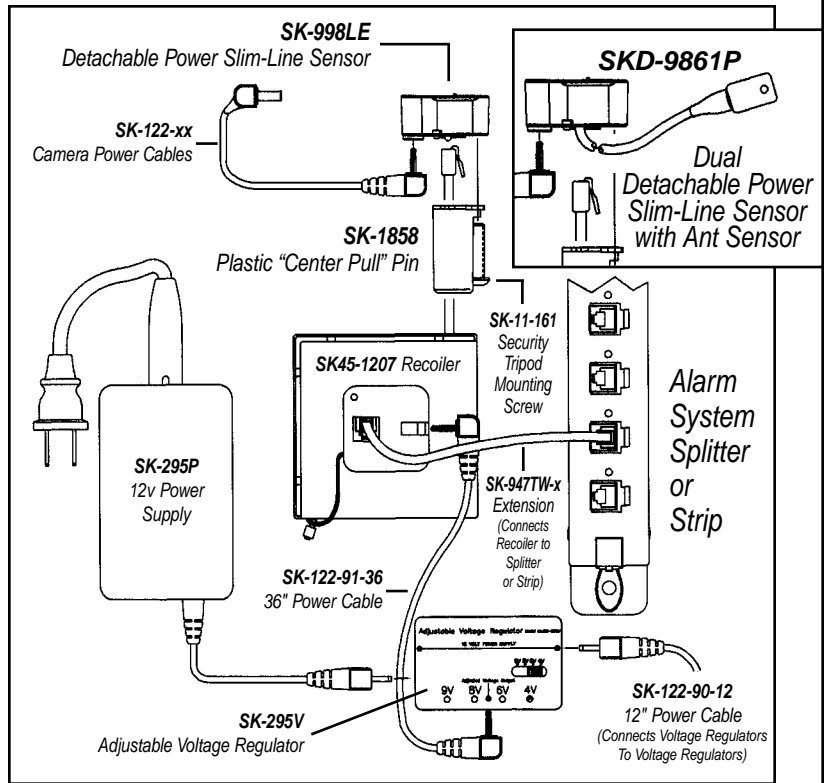




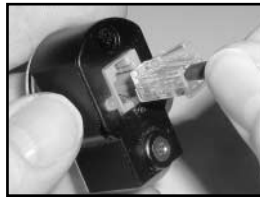
Installation Instructions for the Detachable & Dual Detachable Power Slim-Line



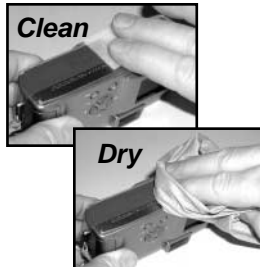
Camera/Sensor Installation: (See Back for Under-Counter Display Set-Up)

Note: The Detachable Slim-Line Sensor **installs** onto digital cameras **AS AN ASSEMBLY**. Please follow these instruction in the order they are presented.

1. Plug the Modular Phone Plug from the Detachable Electronic Recoiler into the Detachable Slim-Line Sensor.



2. Clean the bottom of the digital camera around **the tripod mount** with Alcohol Prep Pads. While wet, **Dry the surface with a clean paper towel or cloth.**



3. Remove the backing sheet from the adhesive on the Detachable Slim-Line Sensor.



4. Connect the SK-1858 Pin to the Detachable Power Slim-Line Sensor with the Security Allen Screw. Align the Pin with notch and the screw hole at the bottom of the sensor. (Shown in the illustrations above).

5. Pass the Security Screw through the Pin into and through the Detachable Slim-Line Sensor, and into the Tripod Mount of the Camera. Use the SK-200K Security Allen Wrench to tighten the security screw.

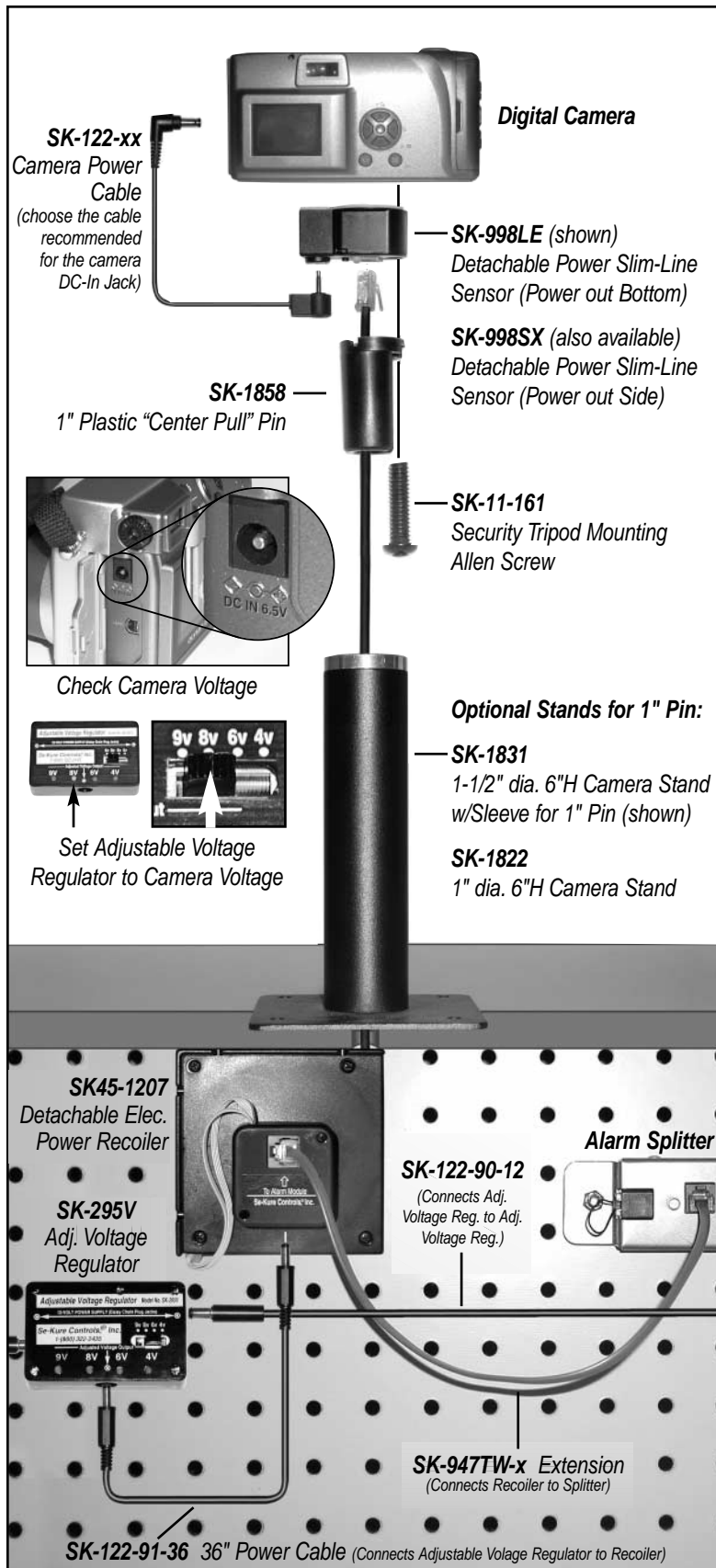
Use Caution: Overtightening could damage the camera tripod mount.



Se-Kure Controls,® Inc.

On the Web: www.se-kure.com
E-Mail: info@se-kure.com

3714 Runge Street • Franklin Park, IL 60131 • 1-(800) 322-2435 • (847) 288-1111 • Fax: (847) 288-9999



Under-Counter Display Installation:

(See Front for Camera/Sensor Install)

6. The SK45-1207 Electronic Detachable Recoiler mounts to the bottom of the display so the detachable end spools out directly beneath a hole or slot in display.

7. Place the SK-295P 12v Power Supply near a 110v AC outlet, and into a SK-295V Adjustable Voltage Regulator.

8. The SK-122-90-12 Cable connects Adj. Voltage Regulator to Adj. Voltage Regulator to "Daisy Chain" up to a max. of 8 Adj. Volt. Regulators per power supply.

9. Set each Adjustable Voltage Regulator for the proper voltage of the camera to be displayed at that location. If the voltage required is between the voltage selections available, (ie. for 6.5v, set the Adj. Voltage Regulator for 8 volts). You can find the voltage information on the camera near the DC power jack, or in the camera operating instructions.

10. Plug the SK-947TW-x Extension into the Recoiler Jack marked "To Alarm Module" and the other end into the Alarm Splitter or Strip.

11. Select the SK-122-xx power cable specified for that digital camera and plug it into the bottom of the Detachable Power Slim-Line Sensor and the other end into the camera DC Power Jack.

12. Only after all connections are complete, and the Adjustable Voltage Regulators are set to the proper voltage, you can plug the SK-295P 12v Power Supply into a 110v AC outlet.

13. Follow the instructions that came with the Display Alarm you are connecting to.



Se-Kure Controls,® Inc.

On the Web: www.se-kure.com
E-Mail: info@se-kure.com

3714 Runge Street • Franklin Park, IL 60131 • 1-(800) 322-2435 • (847) 288-1111 • Fax: (847) 288-9999