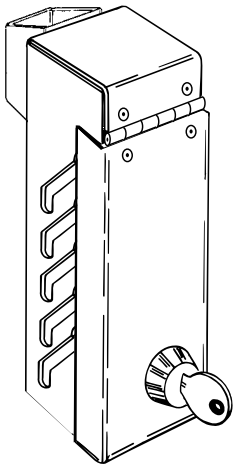


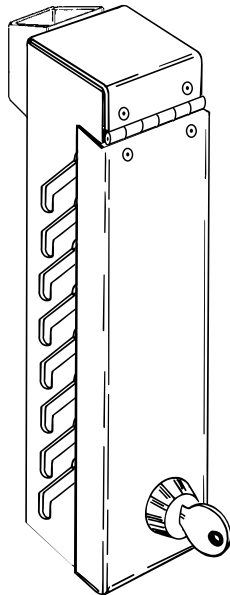


Installation Instructions for the Cable Coat Lock

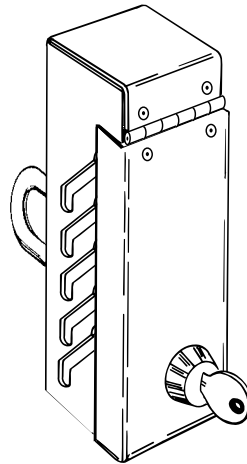
U.S. Patent # 5,154,072



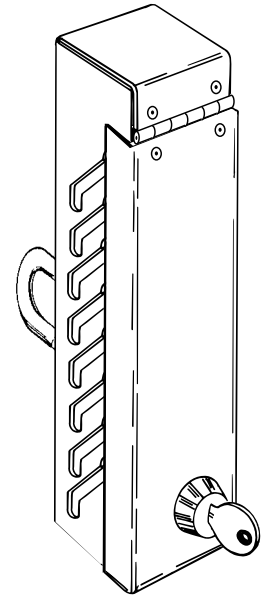
SK-333
Cable Coat Lock w/T-Bar



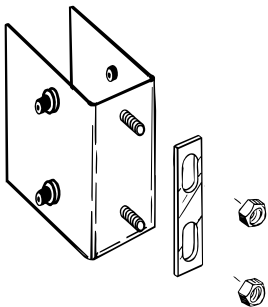
SK-383
Extended Cable Coat Lock w/T-Bar



SK-333U
Cable Coat Lock w/U-Bolt



SK-383U
Extended Cable Coat Lock w/U-Bolt



SK-336
Universal Saddle Bracket



SK-110
Extra Single Bit Key

Note:
For Safety... Cables
Should Be 16"
Above Floor.



SK-301
Standard Weight Cable
1/16" (I.D.) Inside Diameter
1/8" (O.D.) Outside Diameter
8' Standard Cable w/Lasso



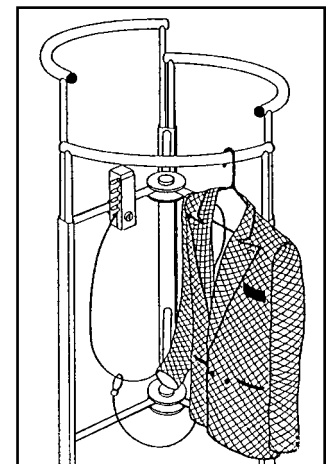
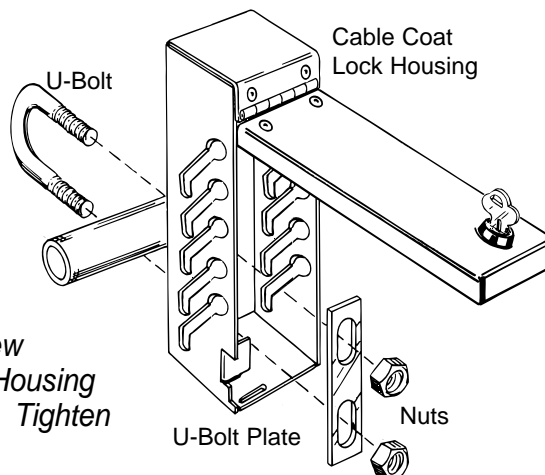
SK-302
Medium Weight Cable
3/32" (I.D.) Inside Diameter
1/8" (O.D.) Outside Diameter
8' Medium Cable w/Lasso

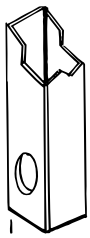


SK-303
Heavy-Duty Weight Cable
1/8" (I.D.) Inside Diameter
3/16" (O.D.) Outside Diameter
8' Heavy-Duty Cable w/Lasso

U-Bolt Assembly:

1. Unlock and open the cover.
2. Position the U-Bolt around the horizontal cross member on the display where the Coat Lock is to be installed.
3. Position the Cable Coat Lock Housing so the threads of the U-Bolt enter the back plate.
4. Put U-Bolt Plate over the screw threads inside the coat Lock Housing and bolt on (2) nuts provided. Tighten until housing is secure.

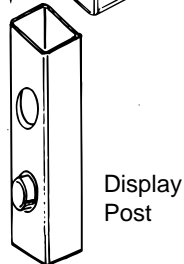
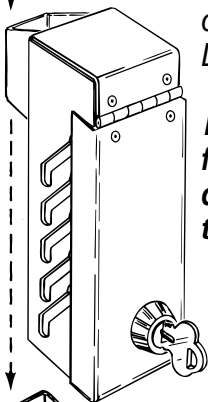




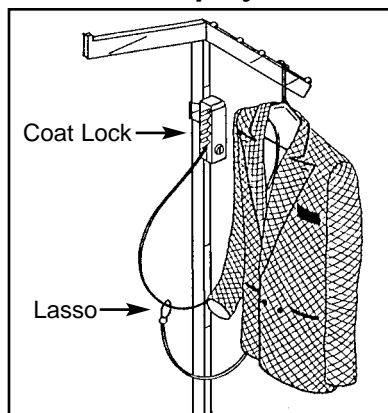
T-Bar Assembly:

1. Lift off the top portion of the T-Stand or Waterfall display.
2. Slide the Cable Coat Lock down over the display post until it meets the next section.
3. Reassemble the top portion of the display to secure the Cable Coat Lock in position.

Note: The Cable Coat Lock is free to slide up and down the display post, but is secured by the top of the display.

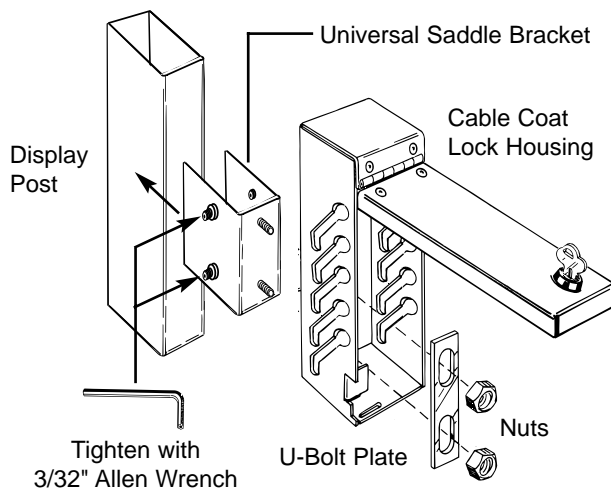


Waterfall Display



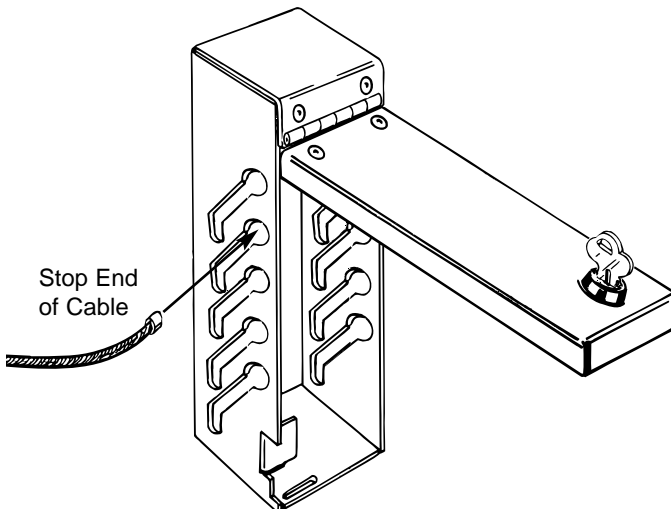
The Universal Saddle Bracket Assembly:

1. Unlock and open the cover.
2. Position the Universal Saddle Bracket on a vertical cross member of the display where the Coat Lock is to be installed.
3. Tighten the Allen Screws with a standard 3/32" Allen Wrench.
4. Position the Cable Coat Lock Housing so the threads of the Bracket enter the back plate.
5. Put U-Bolt Plate over the screw threads inside the coat Lock Housing and bolt on (2) nuts provided. Tighten until housing is secure.



Operating Instructions:

1. Unlock and open the Coat Lock Cover
Note: Key can not be removed from lock when in the unlocked position.
2. Pass the **Stop End** of a Coat Lock Cable down through the sleeve of a display garment, (shown in the waterfall display illustration above).
3. Then, run the **Stop End** of the cable **through the Cable's Lasso**. (This is called Lassoing).
4. **Insert the Stop End in Coat Lock Housing** to secure the merchandise to the display.
4. After all the cables have been inserted, close the Cable Coat Lock cover and lock the unit.
Note: Remove the key and store in it a secure location.



Note: For Safety. . . Cables Should Be 16" Above Floor.



Se-Kure Controls,® Inc.

3714 Runge Street • Franklin Park, IL 60131 • 1-(800) 322-2435 • (847) 288-1111 • Fax: (847) 288-9999